

“M” Series Submittal Drawing

“M” SERIES MECHANICAL DOCK LEVELER MODEL SPECIFICATIONS

MODEL	LIP*	DECK**	NOMINAL LENGTH	WIDTH	HINGE CF1045	SEAMLESS HINGE TUBE	OPERATING RANGE
M6625,30/M7625,30	1/2" x 16"	1/4"	6'	72"/83"	1" diameter	1 5/8" dia. O.D.	+12"-12"
M6825,30/M7825,30	1/2" x 16"	1/4"	8'	72"/83"	1" diameter	1 5/8" dia. O.D.	+12"-12"
M6635,40,45/M7635,40,45	5/8" x 16"	1/4"	6'	72"/83"	1 1/8" diameter	2" dia. O.D.	+12"-12"
M6835,40,45/M7835,40,45	5/8" x 16"	1/4"	8'	72"/83"	1 1/8" diameter	2" dia. O.D.	+12"-12"
M61025,30/M71025,30	1/2" x 16"	1/4"	10'	72"/83"	1" diameter	1 5/8" dia. O.D.	+16"-16"
M61035,40,45	5/8" x 16"	1/4"	10'	72"	1 1/8" diameter	2" dia. O.D.	+16"-16"
M71035,40,45	5/8" x 16"	1/4"	10'	83"	1 1/8" diameter	2" dia. O.D.	+16"-16"
M6650/M7650	3/4" x 16"	1/4"	6'	72"/83"	1 1/8" diameter	2 3/4" dia. O.D.	+12"-12"
M6850/M7850	3/4" x 16"	1/4"	8'	72"/83"	1 1/8" diameter	2 3/4" dia. O.D.	+12"-12"
M61050/M71050	3/4" x 16"	1/4"	10'	72"/83"	1 1/8" diameter	2 3/4" dia. O.D.	+16"-16"

INSERT SPECIFIC JOB REQUIREMENTS FROM CHART

--	--	--	--	--	--	--	--

STANDARD CAPACITY

A.N.S.I. CAPACITY

--	--

* Reinforced lip hinge. ***Lip and deck, 55,000 lb. minimum yield steel; ***Models with deck width of 78" (6 1/2') are available upon request. WARRANTY: 3 years on structural members & main springs; 1 year on mechanical & misc. parts (includes materials, labor & freight).

STANDARD FEATURES

- (2) Laminated Bumpers
- Lip 16"
- Grease Fittings
- Working Range Toe Guards
- Dual Safety Legs
- Lip Keeper/Night Locks
- Maintenance Strut
- Automatic "Cant" Feature
- Direct Extension Spring Counter Balance (no moving parts)
- Full Length Structural "C" Channel Deck Support
- Yellow & Black Diagonal Safety Stripe on Toe Guards
- Hydra-Lip (lip is yieldable)

OPTIONAL FEATURES

- Lip 18"
- Lip 20"
- Abrasive Deck
- Below Dock Control
- Hot Dip Galvanized
- Guardian Lip
- Deep Pit Kit
- Weather Seals (side & rear)
- Foam Insulation
- Full Range Toe Guards (Powder Coat Yellow)
- Laminated Bumpers size _____
- Three Wheel Forklift

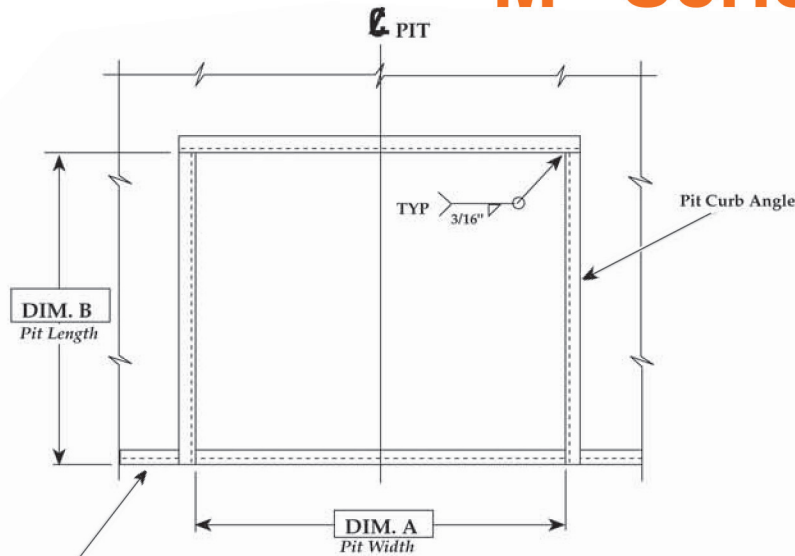


PO Box 338 • Spring Hill, Tennessee 37174
 931.486.2296 • 800.251.3382 • Fax: 931.486.0316
 www.pioneerleveler.com

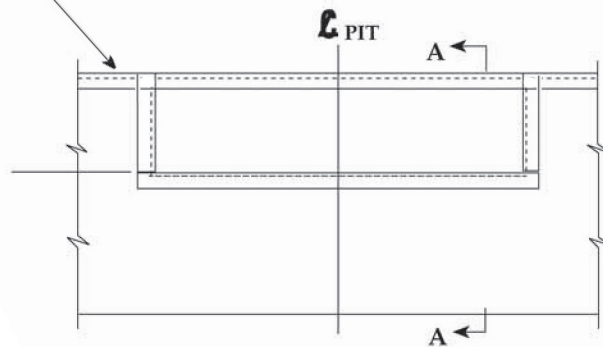
JOB

Pioneer reserves the right to make product improvement at any time without prior notice.

"M" Series Pit Detail



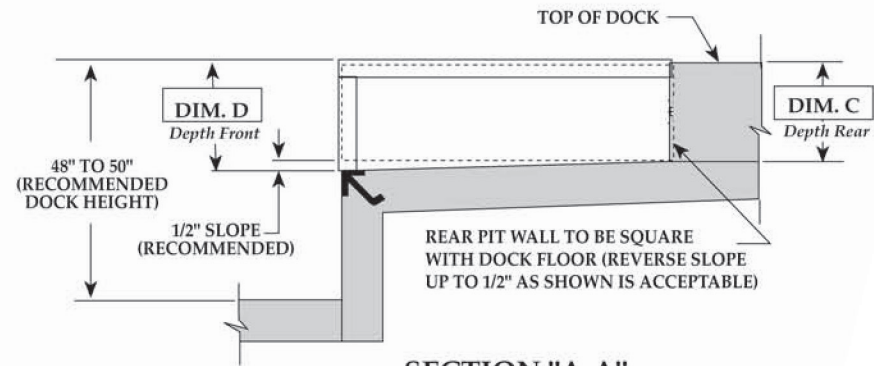
***NOTE: 1**



***NOTE 1:** Angle 3"x3"x1/4"x20"
Minimum Length or Run
Continuous Pit to Pit
(Supplied By Others)

VARIABLE DIMENSIONS				
MODEL	"A"	"B"	"C"	"D"
6'W x 6'L	74"	63"	19 1/2"	20"
6'W x 8'L	74"	87"	19 1/2"	20"
6'-6"W x 6'L	80"	63"	19 1/2"	20"
6'-6"W x 8'L	80"	87"	19 1/2"	20"
7'W x 6'L	85"	63"	19 1/2"	20"
7'W x 8'L	85"	87"	19 1/2"	20"
6'W x 10'L	74"	111"	23 1/2"	24"
6'-6"W x 10'L	80"	111"	23 1/2"	24"
7'W x 10'L	85"	111"	23 1/2"	24"

INSERT SPECIFIC JOB DIMENSIONS FROM CHART



DRAWN:	SCALE:	DATE:	DRAWING NUMBER:
D.E.A.	AS NOTED	9/30/94	PMI-2014-R1

TOLERANCES:		
Inch Dimension =	Decimal Dimension =	Angles =
1/16"	±.005	° 1



PO Box 338 • Spring Hill, Tennessee 37174
931.486.2296 • 800.251.3382 • Fax: 931.486.0316
www.pioneerleveler.com

JOB

Pioneer reserves the right to make product improvement at any time without prior notice.